

Everyone Can Climb!

Modular Panels are the ideal climbing solution for areas where a traditional climbing tower may not fit or where floor space is extremely limited. Modular panels allow for ultimate flexibility in design resulting in a climbing surface that exactly meets your space requirements. Possibilities range from low height traverse walls to soaring vertical walls. Our Auto-Belay Safety System is the perfect compliment to walls above 2.5m.

Our system is a new and innovative approach to the modular wall panel concept. 1.2m x 1.2m ( 4ft X 4ft) fiberglass panels match up with neighboring panels and share topographical features such as ledges and bulges. A more authentic experience is then enjoyed by the climber. A standard block group of 4 panels share these common features.

Gym mats are available to place under the wall to cushion the landing zone. They fold up against the wall when it is not in use for a clean, minimal footprint design.

### Can be used at:



Shopping Malls



Recreational Centers



Amusement Parks



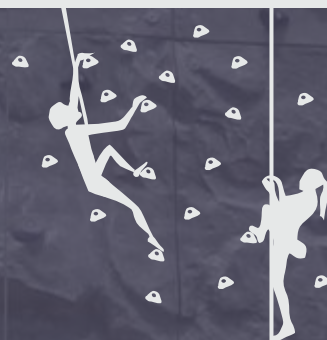
Adventure Zones



Resorts



Schools





## **SPECIFICATIONS:**

ASTM- US standards safety certification testing

48" X 48" ( 1.2 m X 1.2 m)

55 lb. ( 25 kg.)

4 Panel shapes for less repetition

Contours molded from real rock

Maximum 6" projection from back (zero) plane

High quality fiberglass surface construction

4 Corner mounting holes ( set in 2" o.c. from each edge)

UV resistant finish

Flame resistant upgrade available

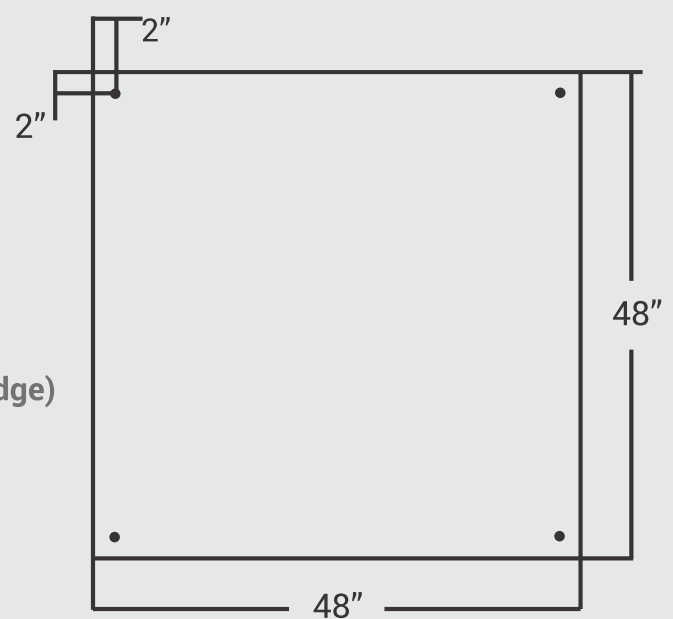
Landing mats available

Multiple installation options

1800 Kg minimum pull-out & shear rating

8 handholds & t-nuts ( can be upgraded to 10 )

Various color options available



Sr. No. 83/2/3, Dangat-Patil Nagar, Warje-NDA Road, Shivne,  
Pune: 411023, Maharashtra, India.



+91-9822848017, +91-20-25290262